

Bulk Storage - Standard Depth Drawer Units
Fridge to Freezer Unit + Solid Worktop

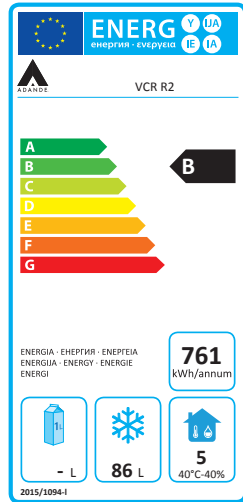


VCR3/CW
Standard Castors (C)
Solid Worktop (W)

Hydrocarbon
R600a Refrigerant

(also available in HFC R404a)

(only available with R600a)



Standard Drawer
'B' Energy Rating
in Freezer Mode

'A' Energy Rating
in Fridge Mode
(Consumption 307
kWh/annum)



A+ Fridge
Drawer

A+ Energy Rating
(Consumption 239
kWh/annum)

Bulk Storage - Standard Depth Drawer Units
Fridge Only Unit + Cover Top



HCR3/CT
Standard Castors (C)
Cover top (T)

Storage Capacity

Gastronorm (GN) Pans
4 x 1/1 GN
100 mm Deep
or equivalent (per Drawer)

Maximum Weight
40 kg of Food (per Drawer)

Volume
86 Litres (per Drawer)

Applications

- Provides back-up storage, close to the point of use, for maximum efficiency during busy service periods
- With our Low Velocity Cooling system, food can be packed into the drawer without leaving any air gaps - there are no 'hot-spots' in an Adande Drawer
- On request, Adande units can be arranged in mixed configurations, combining Multi Temperature with Fridge Only Drawers

Temperature Flexibility

Foods can be stored at the optimum set point anywhere in the range

+15°C ← → -22°C

for Standard Drawers and
+15°C ← → 0°C

for A+ Fridge Drawers

Climate Testing

Tested to **Climate Class 4** (30°C & 55% relative humidity) for temperature and energy consumption and to **Climate Class 5** (40°C & 40% relative humidity) for temperature

Electrical

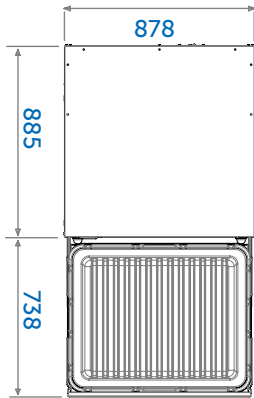
Mains Supply
230 Vac 50 Hz

Power Socket (included)
Correct 2 or 3 Pin Plug fitted for each country

Mains Lead (included)
2 Metre Coiled Lead

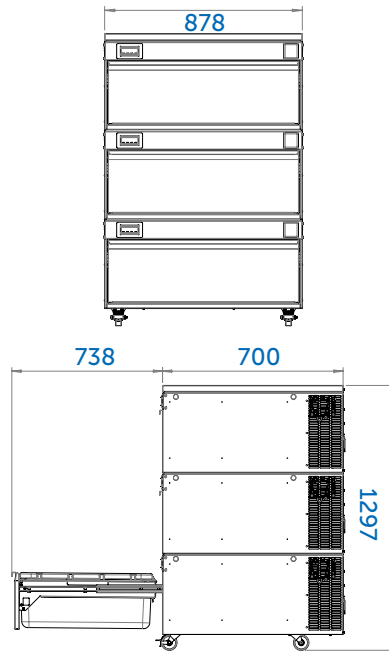
Plan View |

- Bulk Storage Units
Standard Depth Drawers
- Multi Temperature Unit (VCS3)
 - A+ Fridge Only Unit (HCS3)
with Open Drawer



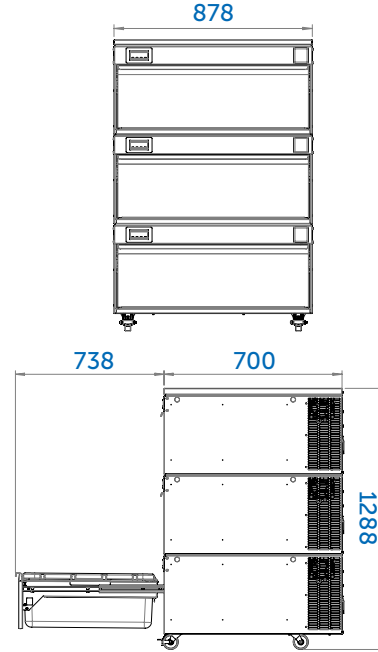
Elevations |

- Bulk Store - Standard Depth 3 Drawer
Fridge to Freezer Unit (VCR3)
- Standard Castors (C)
 - Solid Worktop (W)



VCR3/CW

- Bulk Store - Standard Depth 3 Drawer
Fridge Only Unit (HCR3)
- Standard Castors (C)
 - Cover top (T)



HCR3/CT

Tops |



Three
Drawer
Module



Base |



OPTIONS

Standard Drawer Specifications (Temperature Range +15°C to -22°C)

STANDARD DEPTH DRAWER UNITS + COVER TOP (T)	Standard Castor Base (C)	
Finished Height	1288 mm	VCR3/CT
Load Bearing Capacity	0 kg	

STANDARD DEPTH DRAWER UNITS + SOLID WORKTOP (W)	Standard Castor Base (C)	
Finished Height	1297 mm	VCR3/CW
Load Bearing Capacity	180 kg	

Standard Drawer Specifications (Temperature Range +15°C to 0°C)

STANDARD DEPTH DRAWER UNITS + COVER TOP (T)	Standard Castor Base (C)	
Finished Height	1288 mm	HCR3/CT
Load Bearing Capacity	0 kg	

STANDARD DEPTH DRAWER UNITS + SOLID WORKTOP (W)	Standard Castor Base (C)	
Finished Height	1297 mm	HCR3/CW
Load Bearing Capacity	180 kg	