

### Combo Counter Prep Station

Standard above Shallow Drawer (VSS2)  
Shallow above Standard Drawer (SVS2)



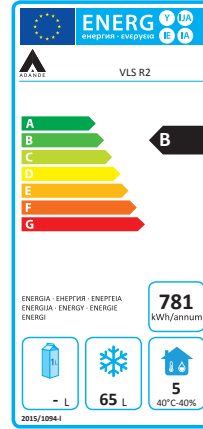
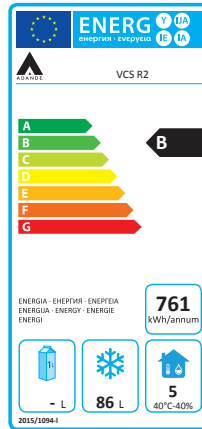
**Blast Chill (BC)**  
For added functionality a BC option is available with Standard Drawers

**VSS2/CW** (Pictured)  
Standard Castors (C)  
Solid Worktop (W)  
& **SVS2/CW**

### Hydrocarbon R600a Refrigerant

Standard  
Drawer

Shallow  
Drawer



Standard Drawer  
'B' Energy Rating  
in Freezer Mode

Shallow Drawer  
'B' Energy Rating  
in Freezer Mode

'A' Energy Rating  
in Fridge Mode  
(Consumption 307  
kWh/annum)

'A' Energy Rating  
in Fridge Mode  
(Consumption 325  
kWh/annum)

(also available in HFC R404a)

### Combo Under Counter Prep Station

Standard above Shallow Drawer (VSS2)  
Shallow above Standard Drawer (SVS2)



**VSS2/CT** (Pictured)  
Standard Castors (C)  
Cover Top (T)  
& **SVS2/CT**

**Blast Chill (BC)**  
For added functionality a BC option is available with Standard Drawers

Storage Capacity	
<b>Standard Drawer</b>	<b>Shallow Drawer</b>
<b>Gastronorm Pans</b> 4 x 1/1 GN pans 100 mm Deep or equivalent	<b>Gastronorm Pans</b> 4 x 1/1 GN pans 75 mm Deep or equivalent
<b>Maximum Weight</b> 40 kg of Food	<b>Maximum Weight</b> 30 kg of Food
<b>Volume</b> 86 Litres	<b>Volume</b> 65 Litres

Applications
<ul style="list-style-type: none"> <li>Ergonomic storage solution, right at the point of use</li> <li>Ideal for meat, deli &amp; dessert prep</li> <li>Perfect for garnish and 'mise en place' generally</li> <li>Frozen storage by the deep fry station, with worktop mounted Fry Basket Rack as optional extra</li> </ul>

**Temperature Flexibility**

Foods can be stored at the optimum set point anywhere in the range

+15°C ← → -22°C

Climate Testing
Tested to <b>Climate Class 4</b> (30°C & 55% relative humidity) for temperature and energy consumption and to <b>Climate Class 5</b> (40°C & 40% relative humidity) for temperature

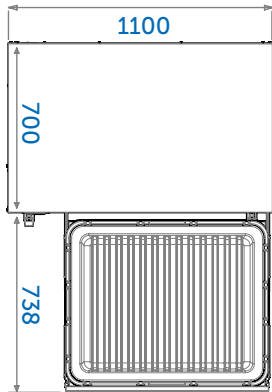
Electrical
<b>Mains Supply</b> 230 Vac 50 Hz
<b>Power Socket</b> (included) Correct 2 or 3 Pin Plug fitted for each country
<b>Mains Lead</b> (included) 2 Metre Coiled Lead

# COMBO PREP STATION - STANDARD & SHALLOW DRAWERS - SIDE ENGINE - VSS2 & SVS2 SERIES



## Plan View |

**Combo Prep Station**  
**VSS2 & SVS2**  
with  
Open Drawer

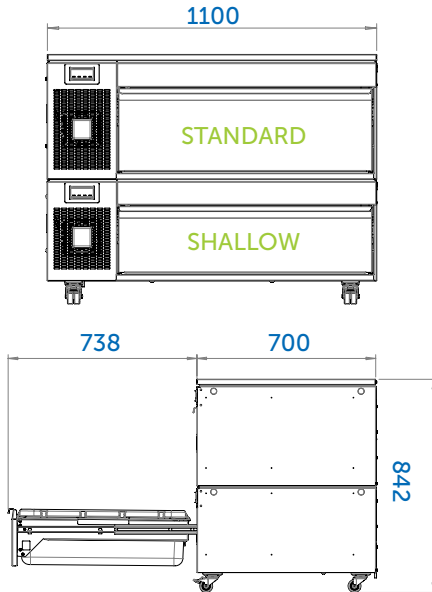


### Extended Tops

Solid Worktops (W) can be extended up to 200 mm left & right and 150 mm back, to give more preparation space

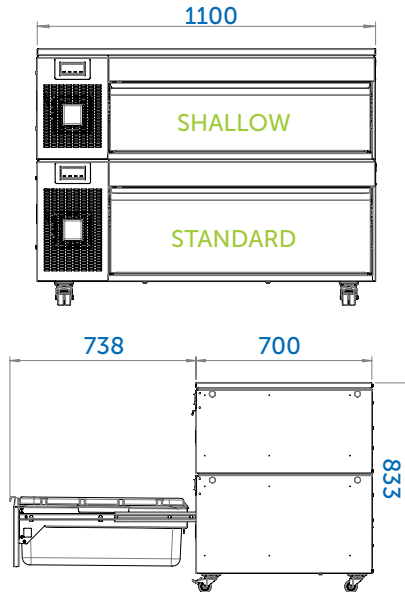
## Elevations |

**Counter**  
**Combo Prep Station**  
**VSS2 (illustrated) & SVS2**  
Standard Castors (C)  
Solid Worktop (W)



VSS2/CW & SVS2/CW

**Under Counter**  
**Combo Prep Station**  
**SVS2 (illustrated) & VSS2**  
Standard Castors (C)  
Cover Top (T)



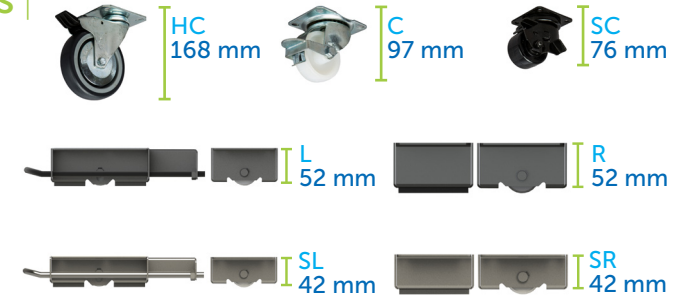
SVS2/CT & VSS2/CT

## Tops |



## Double Drawer Module

## Bases |



OPTIONS - STANDARD ABOVE SHALLOW DRAWER - Code: VSS2 or SHALLOW ABOVE STANDARD DRAWER - Code: SVS2

## Counter Prep Station Specifications

PREP STATION + SOLID WORKTOP (W)	High Castor Base (HC)		Standard Castor Base (C)		Small Castor Base (SC)		Rollers & Feet Base (R)		Small Rollers & Feet Base (SR)		Locking Roller Base (L)		Small Locking Roller Base (SL)	
Finished Height	913 mm	VSS2/HCW	842 mm	VSS2/CW	821 mm	VSS2/SCW	797 mm	VSS2/RW	787 mm	VSS2/SRW	797 mm	VSS2/LW	787 mm	VSS2/SLW
Load Bearing Capacity	230 kg	SVS2/HCW	300 kg	SVS2/CW	300 kg	SVS2/SCW	225 kg	SVS2/RW	225 kg	SVS2/SRW	225 kg	SVS2/LW	225 kg	SVS2/SLW

## Under Counter Prep Station Specifications

PREP STATION + COVER TOP (T)	High Castor Base (HC)		Standard Castor Base (C)		Small Castor Base (SC)		Rollers & Feet Base (R)		Small Rollers & Feet Base (SR)		Locking Roller Base (L)		Small Locking Roller Base (SL)	
Finished Height	904 mm	VSS2/HCT	833 mm	VSS2/CT	812 mm	VSS2/SCT	788 mm	VSS2/RT	778 mm	VSS2/SRT	788 mm	VSS2/LT	778 mm	VSS2/SLT
Load Bearing Capacity	0 kg	SVS2/HCT	0 kg	SVS2/CT	0 kg	SVS2/SCT	0 kg	SVS2/RT	0 kg	SVS2/SRT	0 kg	SVS2/LT	0 kg	SVS2/SLT