

## Under Counter Standard Depth Drawer Variable Temperature Unit + Cover Top



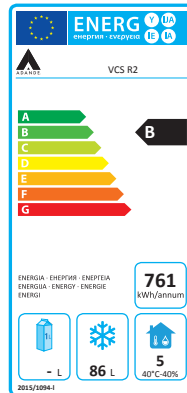
### VCR1/CT

Standard Castors (C)  
Cover Top (T)

## Hydrocarbon R600a Refrigerant

(also available  
in HFC R404a)

(only available  
in R600a)



Standard Drawer  
'B' Energy Rating  
in Freezer Mode

'A' Energy Rating  
in Fridge Mode  
(Consumption 307  
kWh/annum)



A+ Fridge  
Drawer

A+ Energy Rating  
(Consumption 239  
kWh/annum)

## Under Counter Standard Depth Drawer Fridge Only Unit + Cover Top



### HCR1/CT

Standard Castors (C)  
Cover Top (T)

### Storage Capacity

**Gastronorm (GN) Pans**  
4 x 1/1 GN  
100 mm Deep  
or equivalent

**Maximum Weight**  
40 kg of Food

**Volume**  
86 Litres

### Applications

- Bulk storage right at the point of use
- Range of finished height units available, to suit a wide variety of spaces in the kitchen
- Unique patented Low Velocity Cooling keeps food fresher for longer

### Temperature Flexibility

Foods can be stored at the optimum set point anywhere in the range



for Standard & Shallow Drawers



for A+ Fridge Drawers

### Climate Testing

Tested to **Climate Class 4**  
(30°C & 55% relative humidity)  
for temperature and energy consumption and to **Climate Class 5** (40°C & 40% relative humidity) for temperature

### Electrical

**Mains Supply**  
230 Vac 50 Hz

**Power Socket** (included)  
Correct 2 or 3 Pin Plug fitted for each country

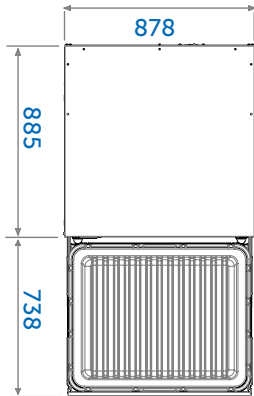
**Mains Lead** (included)  
2 Metre Coiled Lead

# UNDER COUNTER SINGLE DRAWER UNITS - REAR ENGINE - VCR1 & HCR1 SERIES



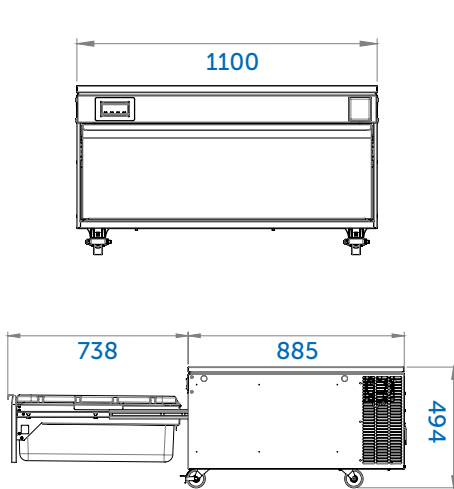
## Plan View |

Under Counter  
Rear Engine  
**VCR1 & HCR1**  
with Open Drawer



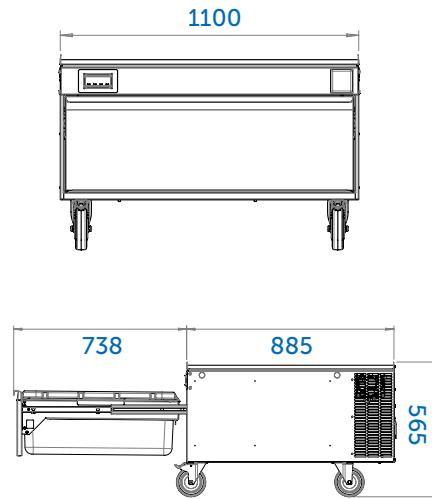
## Elevation |

Under Counter  
Rear Engine  
**VCR1 & HCR1**  
Standard Castors (C)  
Cover Top (T)



VCR1/CT & HCR1/CT

Under Counter  
Rear Engine  
**VCR1 & HCR1**  
High Castors (HC)  
Cover Top (T)



VCR1/HCT & HCR1/HCT

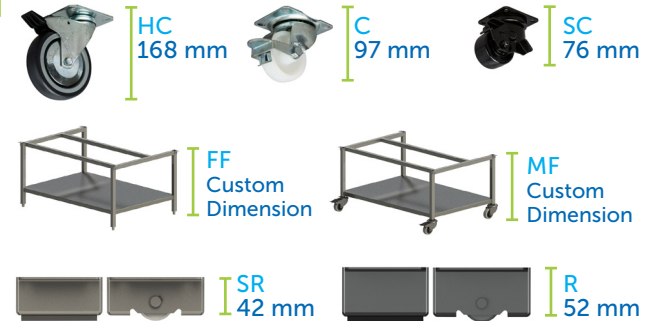
## Tops |



## Drawer Module |



## Bases |



**OPTIONS** (Note: due to rounding differences, the dimensions for Drawer Module + Top + Base may vary by 1 mm compared to the dimensions shown below)

### Standard Depth Drawer (Temperature Range -22°C to +15°C)

UNDER COUNTER+ COVER TOP (T)	High Castor Base (HC)		Standard Castor Base (C)		Small Castor Base (SC)		Rollers & Feet Base (R)		Small Rollers & Feet Base (SR)		Fixed Frame Base (FF)		Mobile Frame Base (MF)	
Finished Height	565 mm	VCR1/HCT	494 mm	VCR1/CT	473 mm	VCR1/SCT	449 mm	VCR1/RT	439 mm	VCR1/SRT	590-900mm	VCR1/FFT	590-900 mm	VCR1/MFT
Load Bearing Capacity	0 kg		0 kg		0 kg		0 kg		0 kg		0 kg		0 kg	

### Standard Depth Drawer (Temperature Range 0°C to +15°C)

UNDER COUNTER + COVER TOP (T)	High Castor Base (HC)		Standard Castor Base (C)		Small Castor Base (SC)		Rollers & Feet Base (R)		Small Rollers & Feet Base (SR)		Fixed Frame Base (FF)		Mobile Frame Base (MF)	
Finished Height	565 mm	HCR1/HCT	494 mm	HCR1/CT	473 mm	HCR1/SCT	449 mm	HCR1/RT	439 mm	HCR1/SRT	590-900mm	HCR1/FFT	590-900 mm	HCR1/MFT
Load Bearing Capacity	0 kg		300 kg		0 kg		0 kg		0 kg		0 kg		0 kg	