

Cassette - Standard Depth Drawer Fridge to Freezer Drawer Unit



**Hydrocarbon
R600a Refrigerant**

Standard Drawer	Fridge Only Drawer
<p>Standard Drawer 'B' Energy Rating in Freezer Mode</p> <p>'A' Energy Rating in Fridge Mode (Consumption 307 kWh/annum)</p>	<p>A+ Fridge Drawer</p> <p>A+ Energy Rating (Consumption 239 kWh/annum)</p>
(Also available in HFC R404a)	(Hydrocarbon R600a only)

Cassette - Standard Depth Drawer A+ Fridge Only Drawer Unit



HCS1/FBT
Flat Base (FB)
Cover Top (T)

Blast Chill (BC)
For added functionality, a BC option is available with this spec of Drawer

VCS1/FBT
Flat Base (FB)
Cover Top (T)

Storage Capacity

Gastronorm (GN) Pans
4 x 1/1 GN
100 mm Deep
or equivalent

Maximum Weight
40 kg of Food

Volume
86 Litres

Applications

- Brings refrigeration to the heart of the cookline
- Bulk storage right at the point of use
- Ideal for meat, deli and larder prep
- Suitable for pastry and dessert prep
- Perfect storage for garnish and 'mise en place' generally

Temperature Flexibility

Foods can be stored at the optimum set point anywhere in the range

+15°C ← → -22°C

for Standard & Shallow Drawers

+15°C ← → 0°C

for A+ Fridge Drawers

Climate Testing

Tested to **Climate Class 4** (30°C & 55% relative humidity) for temperature and energy consumption and to **Climate Class 5** (40°C & 40% relative humidity) for temperature

Electrical

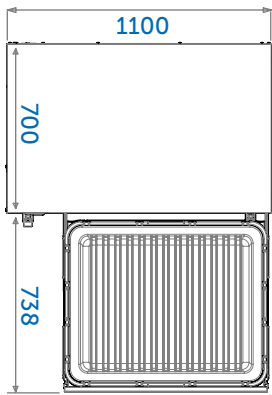
Mains Supply
230 Vac 50 Hz

Power Socket (included)
Correct 2 or 3 Pin Plug fitted for each country

Mains Lead (included)
2 Metre Coiled Lead

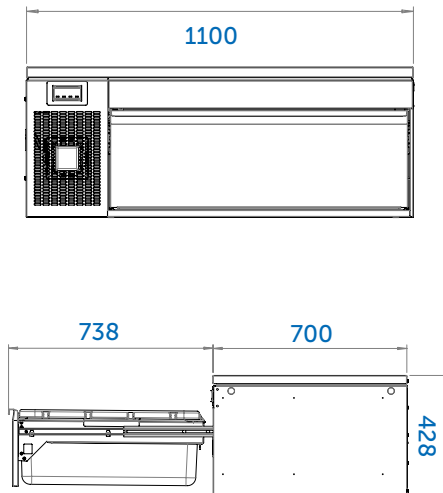
Plan View |

Cassette Drawers
VCS1 & HCS1
with
Open Drawer



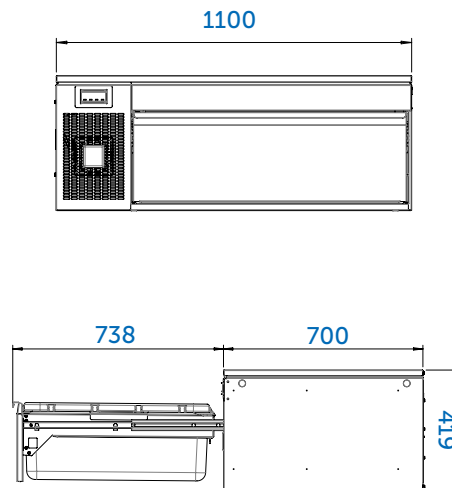
Elevation |

1 Drawer Cassette **VCS1**
Fridge to Freezer
Temperature Range
Flat Base (FB)
Solid Worktop (W)



VCS1/FBW

1 Drawer Cassette **HCS1**
Fridge Only
Temperature Range
Flat Base (FB)
Cover Top (T)



HCS1/FBT

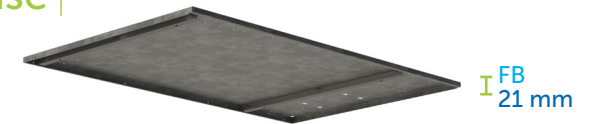
Tops |



Drawer Module |



Base |



OPTIONS

Cassette Drawer Specifications (Temperature Range -22°C to +15°C)

STANDARD DEPTH DRAWER + SOLID WORKTOP (W)	Flat Base (FB)	
Finished Height	428 mm	VCS1/FBW
Load Bearing	Check weight capacity of cook range or other fabricated housing of the Adande Cassette unit	

STANDARD DEPTH DRAWER + COVER TOP (T)	Flat Base (FB)	
Finished Height	419 mm	VCS1/FBT
Load Bearing	Check weight capacity of cook range or other fabricated housing of the Adande Cassette unit	

Cassette Drawer Specifications (Temperature Range 0°C to +15°C)

STANDARD DEPTH DRAWER + SOLID WORKTOP (W)	Flat Base (FB)	
Finished Height	428 mm	HCS1/FBW
Load Bearing	Check weight capacity of cook range or other fabricated housing of the Adande Cassette unit	

STANDARD DEPTH DRAWER + COVER TOP (T)	Flat Base (FB)	
Finished Height	419 mm	HCS1/FBT
Load Bearing	Check weight capacity of cook range or other fabricated housing of the Adande Cassette unit	