

Bulk Storage - Standard Depth Drawer Units

Fridge to Freezer Unit + Cover Top (VCS3)  
Fridge Only Unit + Cover Top (HCS3)



**Blast Chill (BC)**  
A BC option is available in 1,2 or all 3 VCS Drawers for added functionality

**VCS3/CT & HCS3/CT**  
Standard Castors (C)  
Cover Top (T)

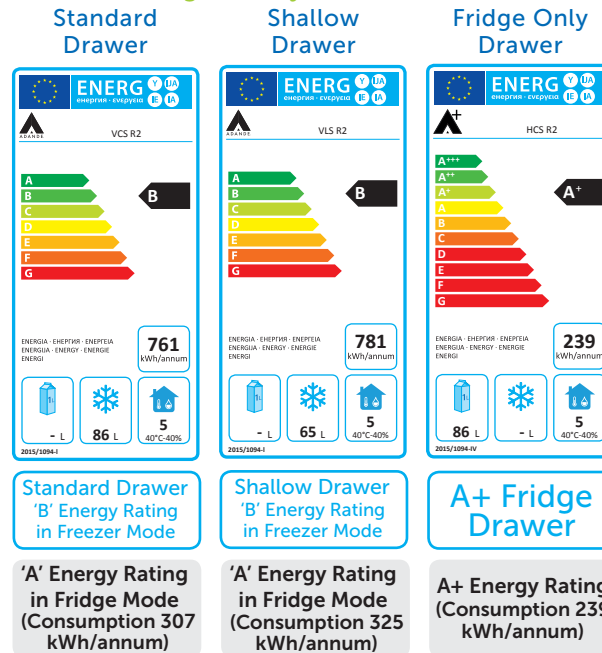
Bulk Storage - Shallow Depth Drawer Units

Fridge to Freezer Unit + Solid Worktop (VLS3)



**VLS3/CW**  
Standard Castors (C)  
Solid Worktop (W)

Energy Rating - Bottom Drawer on Refrigerant Hydrocarbon R600a



(Also available in HFC R404a) (R600a Only)

Storage Capacity	
<b>Standard Drawer</b>	<b>Shallow Drawer</b>
<b>Gastronorm Pans</b> 4 x 1/1 GN pans 100 mm Deep or equivalent	<b>Gastronorm Pans</b> 4 x 1/1 GN pans 75 mm Deep or equivalent
<b>Maximum Weight</b> 40 kg of Food	<b>Maximum Weight</b> 30 kg of Food
<b>Volume</b> 86 Litres	<b>Volume</b> 65 Litres

Applications
<ul style="list-style-type: none"> <li>Provides back-up storage, close to the point of use, for maximum efficiency during busy service periods</li> <li>With our Low Velocity Cooling system, food can be packed into the drawer without leaving any air gaps - there are no 'hot spots' in an Adande Drawer</li> <li>On request, Adande units can be arranged in mixed configurations, combining Standard Depth with Shallow Drawers &amp; Multi Temperature with Fridge Only Drawers</li> </ul>

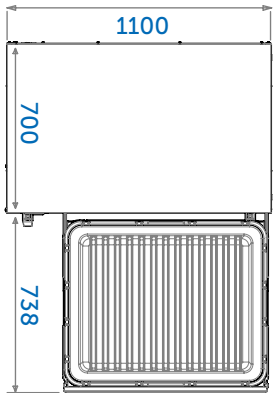
Temperature Flexibility
<p>Foods can be stored at the optimum set point anywhere in the range</p> <p>+15°C ↔ -22°C</p> <p>for Standard &amp; Shallow Drawers</p> <p>+15°C ↔ 0°C</p> <p>for A+ Fridge Drawers</p>

Climate Testing
<p>Tested to <b>Climate Class 4</b> (30°C &amp; 55% relative humidity) for temperature and energy consumption and to <b>Climate Class 5</b> (40°C &amp; 40% relative humidity) for temperature</p>

Electrical
<p><b>Mains Supply</b> 230 Vac 50 Hz</p> <p><b>Power Socket</b> (included) Correct 2 or 3 Pin Plug fitted for each country</p> <p><b>Mains Lead</b> (included) 2 Metre Coiled Lead</p>

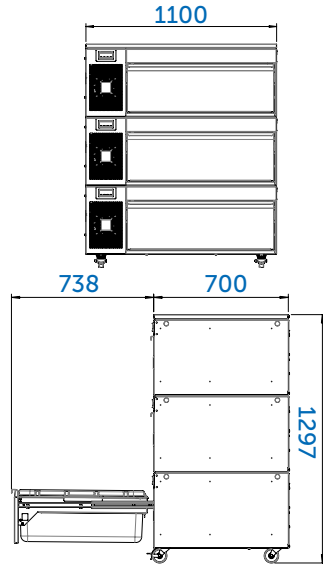
Plan View |

Bulk Storage Units  
Standard Depth Drawers  
• Fridge to Freezer Unit (VCS3)  
• Fridge Only Unit (HCS3)  
& Shallow Depth Drawers (VLS3)  
with Open Drawer



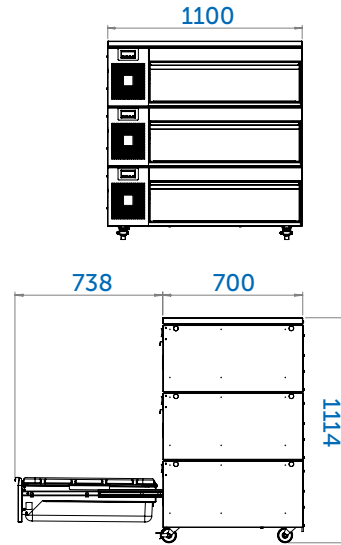
Elevations |

Bulk Store - Standard Depth 3 Drawer  
• Fridge to Freezer Unit (VCS3)  
• Fridge Only Unit (HCS3)  
Standard Castors (C) Solid Worktop (W)



VCS3/CW & HCS3/CW

Bulk Store - Shallow Depth 3 Drawer  
Fridge to Freezer Unit (VLS3)  
Standard Castors (C)  
Cover Top (T)



VLS3/CT

Tops |



Three Drawer Modules |



Base |



OPTIONS

Standard and Shallow Drawer Specifications (Temperature Range +15°C to -22°C)

STANDARD DEPTH DRAWER UNITS + COVER TOP (T)	Standard Castor Base (C)	
Finished Height	1288 mm	VCS3/CT
Load Bearing Capacity	0 kg	
SHALLOW DEPTH DRAWER UNITS + COVER TOP (T)	Standard Castor Base (C)	
Finished Height	1114 mm	VLS3/CT
Load Bearing Capacity	0 kg	

STANDARD DEPTH DRAWER UNITS + SOLID WORKTOP (W)	Standard Castor Base (C)	
Finished Height	1297 mm	VCS3/CW
Load Bearing Capacity	180 kg	
SHALLOW DEPTH DRAWER UNITS + SOLID WORKTOP (W)	Standard Castor Base (C)	
Finished Height	1123 mm	VLS3/CW
Load Bearing Capacity	180 kg	

Standard Drawer Specifications (Temperature Range +15°C to 0°C)

STANDARD DEPTH DRAWER UNITS + COVER TOP (T)	Standard Castor Base (C)	
Finished Height	1288 mm	HCS3/CT
Load Bearing Capacity	0 kg	

STANDARD DEPTH DRAWER UNITS + SOLID WORKTOP (W)	Standard Castor Base (C)	
Finished Height	1297 mm	HCS3/CW
Load Bearing Capacity	180 kg	