

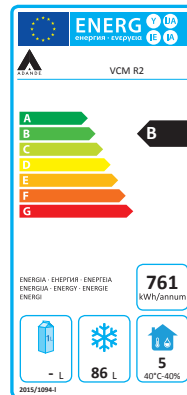
Cassette Standard Depth Matchbox Drawers

Variable Fridge to Freezer Unit



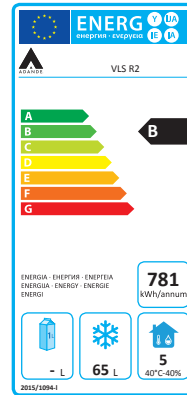
Hydrocarbon R600a Refrigerant

Standard Drawer Shallow Drawer



Matchbox Drawer 'B' Energy Rating in Freezer Mode

'A' Energy Rating in Fridge Mode (Consumption 307 kWh/annum)



Shallow Drawer 'B' Energy Rating in Freezer Mode

'A' Energy Rating in Fridge Mode (Consumption 325 kWh/annum)

(also available in HFC R404a)

Cassette Shallow Depth Drawers

Variable Fridge to Freezer Unit



VLS2/FBT (pictured)

Flat Base (FB)

Cover Top (T)

⊗ VLS2/FBW

Blast Chill (BC)
For added functionality, a BC option is available with this spec of Drawer

VCM2/FBT (pictured)

Flat Base (FB)

Cover Top (T)

⊗ VCM2/FBW

Storage Capacity	
Standard Drawer	Shallow Drawer
Gastronorm Pans 4 x 1/1 GN pans 100 mm Deep or equivalent	Gastronorm Pans 4 x 1/1 GN pans 75 mm Deep or equivalent
Maximum Weight 40 kg of Food	Maximum Weight 30 kg of Food
Volume 86 Litres	Volume 65 Litres

Applications
<ul style="list-style-type: none"> Ergonomic storage solution, right at the point of use Matchbox Drawers provide access from both sides of a central island unit Ideal for meat, larder prep, pastry & dessert prep Perfect storage for garnish and 'mise en place'

Temperature Flexibility

Foods can be stored at the optimum set point anywhere in the range

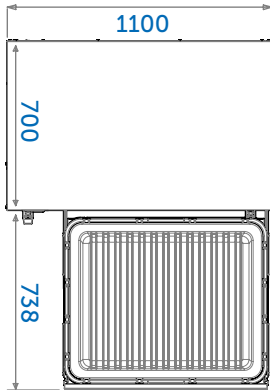
+15°C ← → -22°C

Climate Testing
Tested to Climate Class 4 (30°C & 55% relative humidity) for temperature and energy consumption and to Climate Class 5 (40°C & 40% relative humidity) for temperature

Electrical
Mains Supply 230 Vac 50 Hz
Power Socket (included) Correct 2 or 3 Pin Plug fitted for each country
Mains Lead (included) 2 Metre Coiled Lead

Plan View |

Cassette Drawers
VCM2 & VLS2
with
Open Drawer

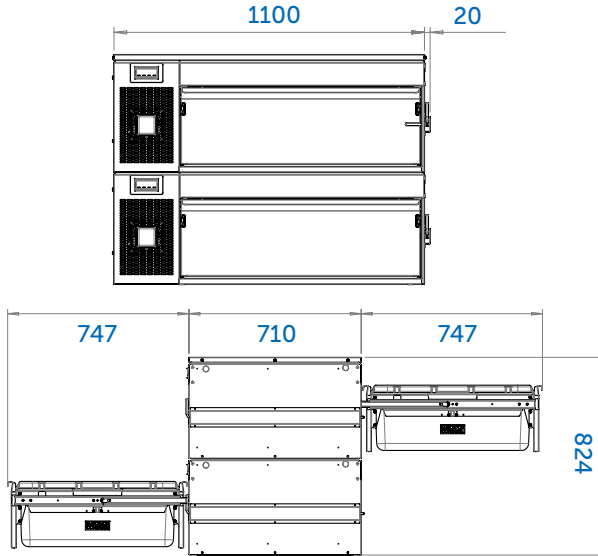


NOTE
The Matchbox Drawer (VCM) opening mechanism makes the unit 20 mm Wider & 10 mm Deeper than the dimensions shown above

Elevation |

Matchbox Drawer Cassette VCM2

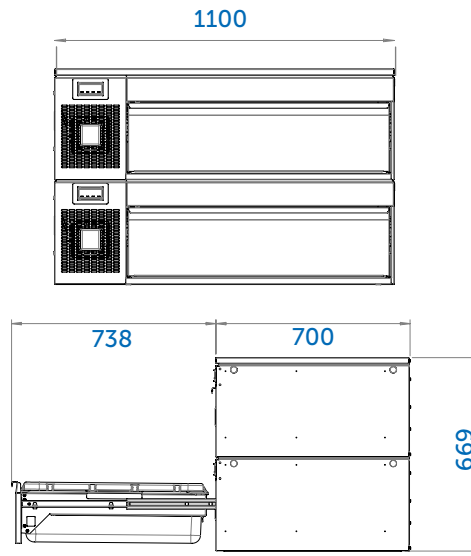
Flat Base (FB)
Solid Worktop (W)



VCM2/FBW

Shallow Drawer Cassette VLS2

Flat Base (FB)
Cover Top (T)



VLS2/FBT

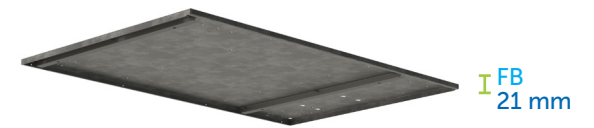
Tops |



Double Drawer Modules |



Base |



OPTIONS (Note: due to rounding differences, the dimensions for Drawer Module + Top + Base may vary by 1 mm compared to the dimensions shown below)

Matchbox Drawer Cassette Specifications

MATCHBOX DRAWER CASSETTE + SOLID WORKTOP (W)	Flat Base (FB)	
Finished Height	824 mm	VCM2/FBW
Load Bearing	Check weight capacity of cook range or other fabricated housing of the Adande Cassette unit	

MATCHBOX DRAWER CASSETTE + COVER TOP (T)	Flat Base (FB)	
Finished Height	815 mm	VCM2/FBT
Load Bearing	Check weight capacity of cook range or other fabricated housing of the Adande Cassette unit	

Shallow Drawer Cassette Specifications

SHALLOW DRAWER CASSETTE + SOLID WORKTOP (W)	Flat Base (FB)	
Finished Height	708 mm	VLS2/FBW
Load Bearing	Check weight capacity of cook range or other fabricated housing of the Adande Cassette unit	

SHALLOW DRAWER CASSETTE + COVER TOP (T)	Flat Base (FB)	
Finished Height	699 mm	VLS2/FBT
Load Bearing	Check weight capacity of cook range or other fabricated housing of the Adande Cassette unit	